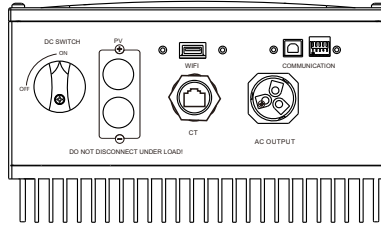


External CT quick installation manual

1. Information

This manual is only applicable to PH5000 PV grid inverter load matching external CT installation

2. Connector

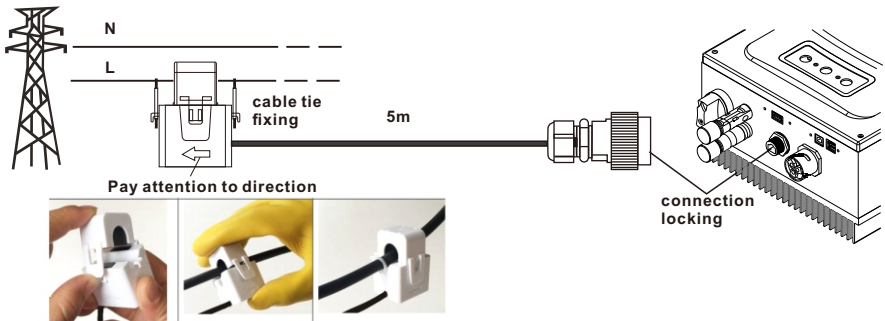


Note:

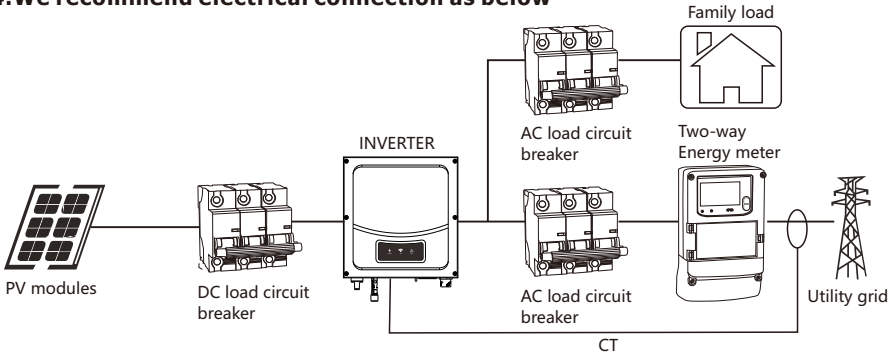
The Inverters of PH50-3600M-6000M have two PV inputs, PH50-2500-3000 only on PV input

| connector | description | function |
|---------------|---------------------------------|---|
| PV | DC input to photovoltaic panel | Energy input |
| CT | Connected load matching CT | Matching household load |
| WiFi | Connect to WiFi | Upload data, real-time monitoring of computer or mobile phone |
| AC OUTPUT | AC output connected to the grid | Energy output |
| COMMUNICATION | Connect to a computer using USB | PC communication |

3. CT connection



4. We recommend electrical connection as below



Note: Only for inverters with load matching functions, General PV grid inverter electrical installation diagram, please refer to the user manual.